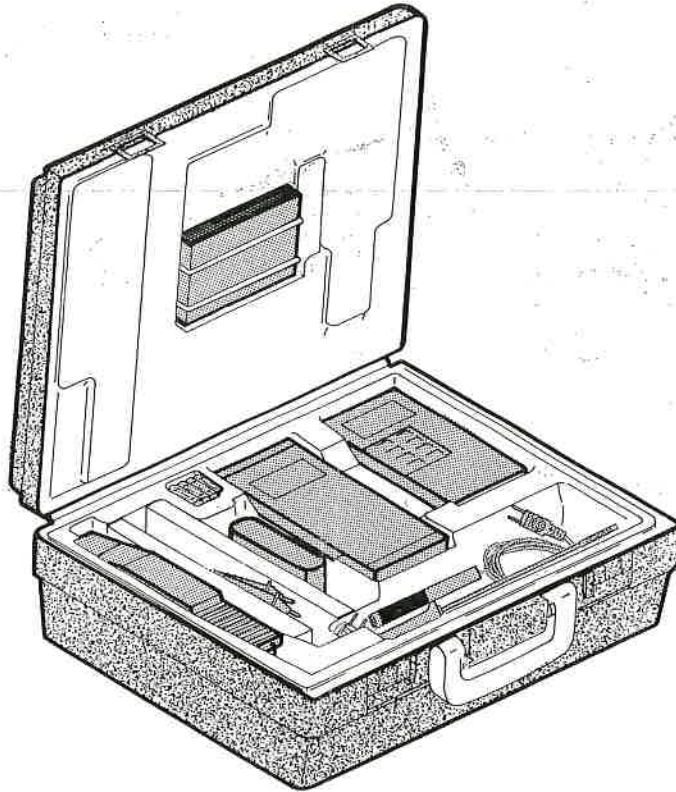


# Application Note

## C100 Universal Carrying Case



### Introducing The C100 Universal Carrying Case

The Model C100 Universal Carrying Case is a rugged, molded plastic case designed to carry Fluke handheld multimeters, 50 Series Thermometers, and most Fluke accessories for these meters.

The C100 Universal Carrying Case:

- Protects your Fluke instruments against inclement weather and rough handling
- Gives you easy access to your test equipment in conveniently laid-out storage areas
- Offers you the convenience of storing meters connected to those accessories whose leads use right-angle banana plugs, so that measurements can be taken with the meter still in the case
- Allows you the flexibility to assemble a "customized" kit of instruments and accessories for specific applications

### Protect Your Handheld Fluke Meters and Accessories

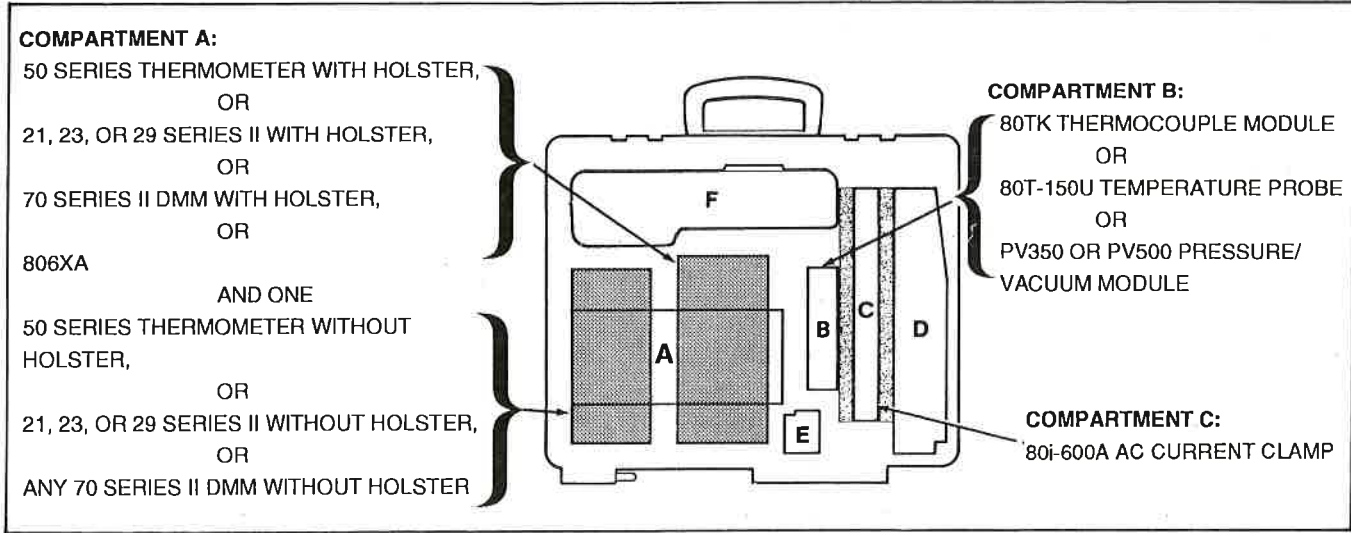
The dimensions (W x H x D) of the C100 carrying case are 15.50 x 13.25 x 4.74 inches (39.37 x 33.66 x 12.07 cm) and will accommodate either:

- One Fluke 25,27, 80 Series in holster, or 8025X multimeter (with its manual) and temperature measuring accessories, current clamps, probes (except 80K-40), fuses, and batteries
- OR
- Two other Fluke handheld multimeters with holsters, manuals, accessories (except 80K-40), and replacement fuses and batteries.

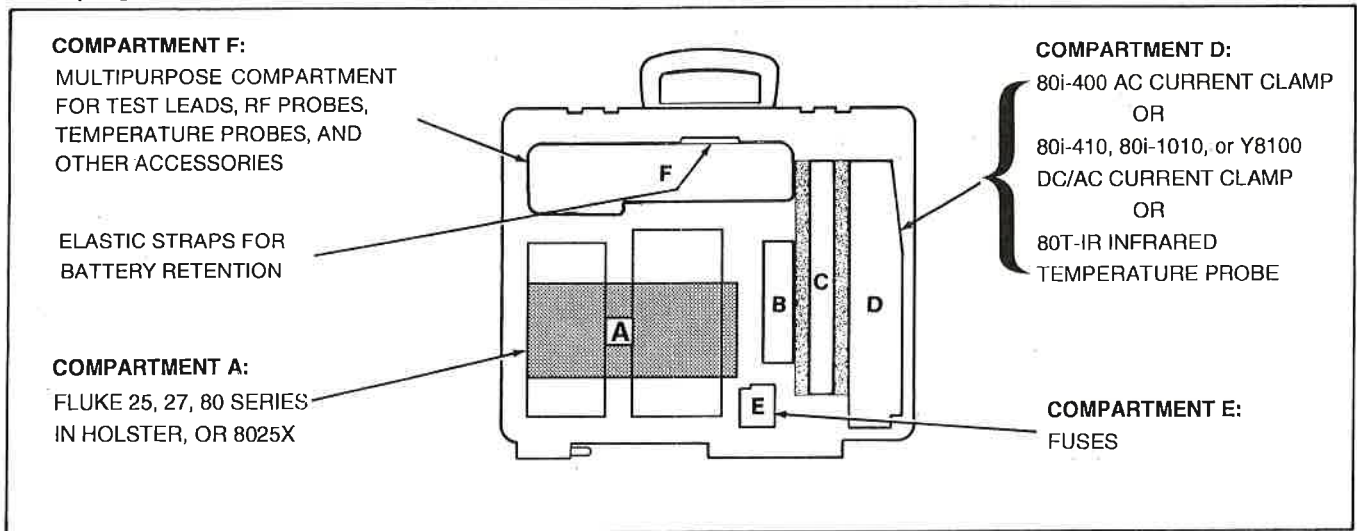
Extra fuses can be stored in a separate compartment, and replacement batteries can be secured by retention straps, making it easy to locate these items when they are needed. A storage area in the case top holds a 5¼ x 8½ x ½-inch manual.

The remainder of these Application Notes shows ways to use the C100 Carrying Case to store Fluke meters and accessories and provides examples of customized service kits for specific applications.

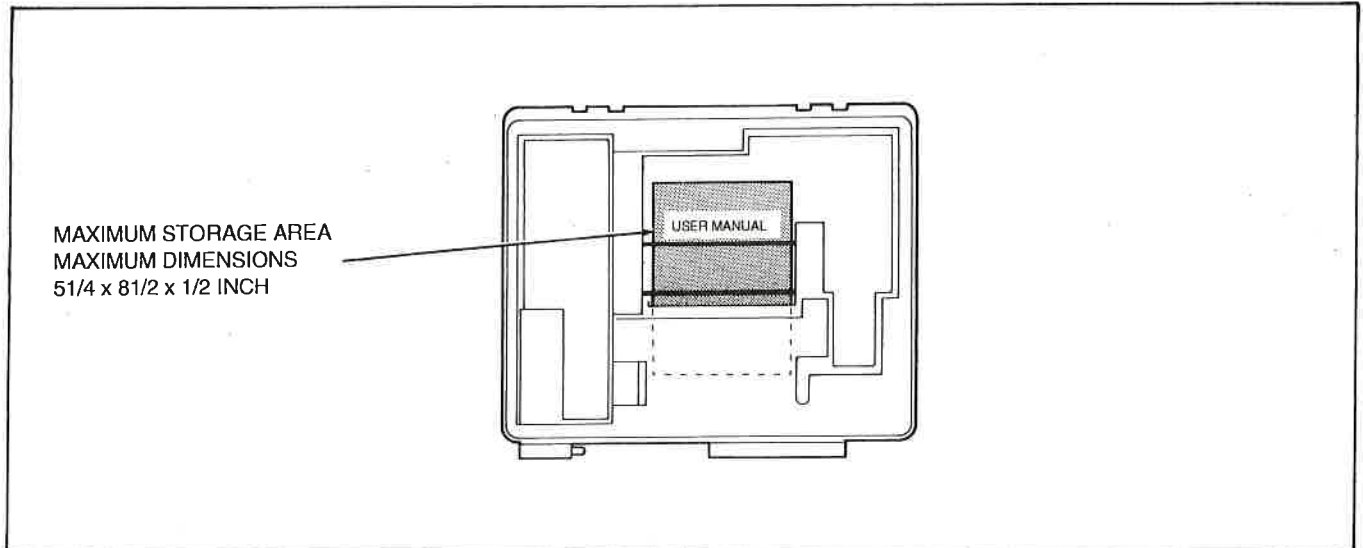
### Carrying Two Meters With Accessories



### Carrying a Fluke 25, 27, 80 Series in holster, or 8025X and Accessories



### Case Top With Manual Storage



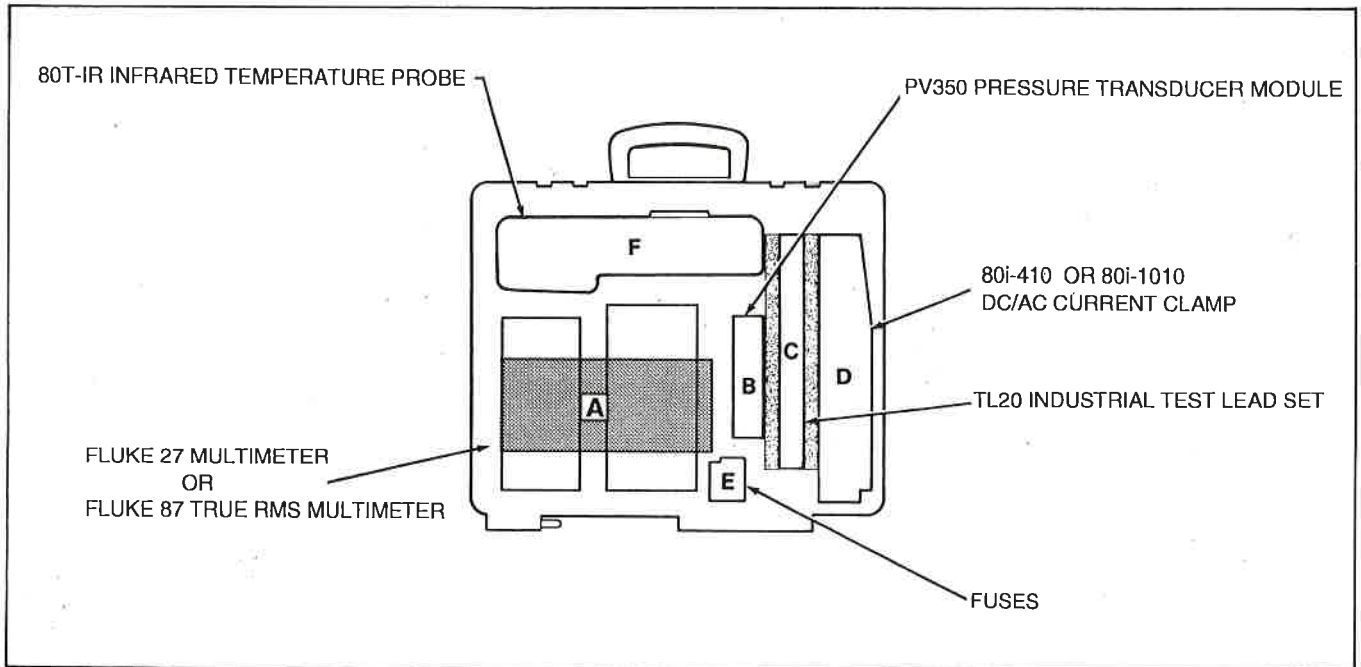
## Assemble "Customized" Service Kits For Specific Testing Applications

The C100 accommodates a wide variety of Fluke meters and accessories. This allows you to assemble customized service kits for specific testing needs. A service kit gives you ready and easy access to necessary equipment while providing effective protection for it. For some applications, you will, of course, need equipment that will not fit in the case.

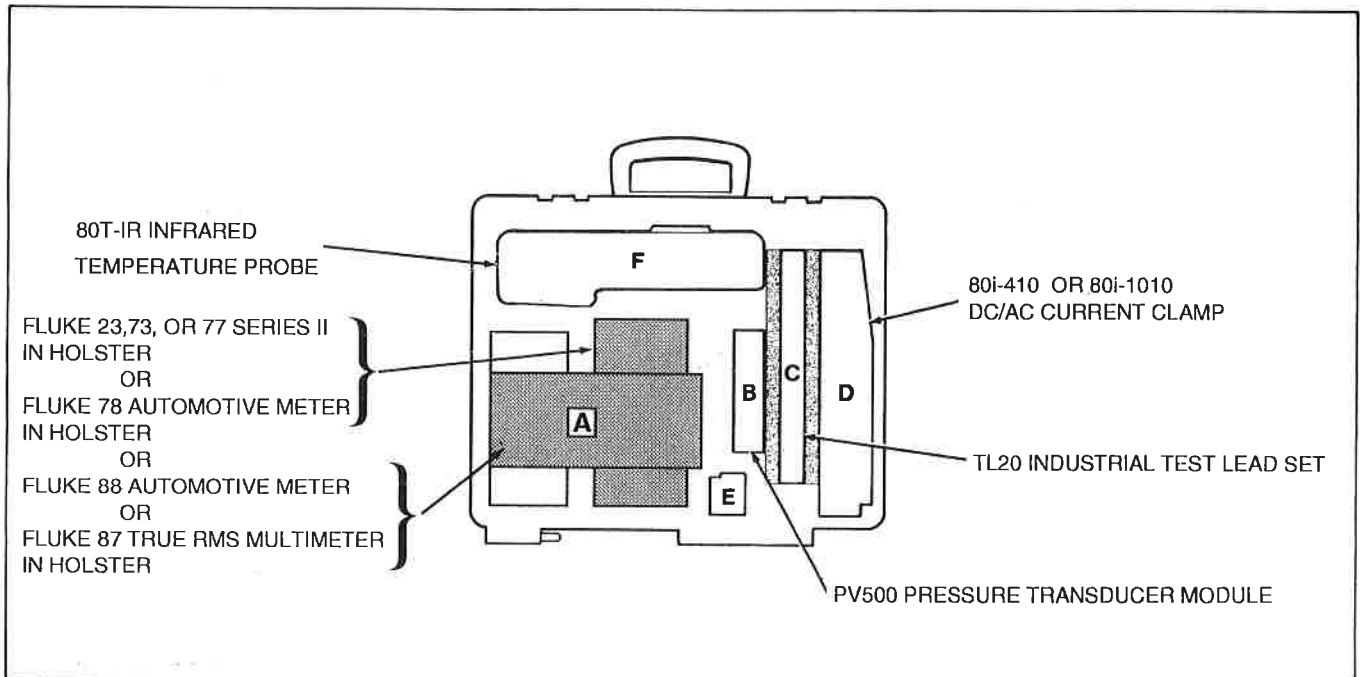
Examples of customized kits of Fluke equipment follow.

For application, operation assistance, or information on Fluke products, call:  
 800-44-FLUKE (800-443-5853) in U.S.A and Canada  
 31 40 723-220 in Europe  
 206-356-5500 from other countries.

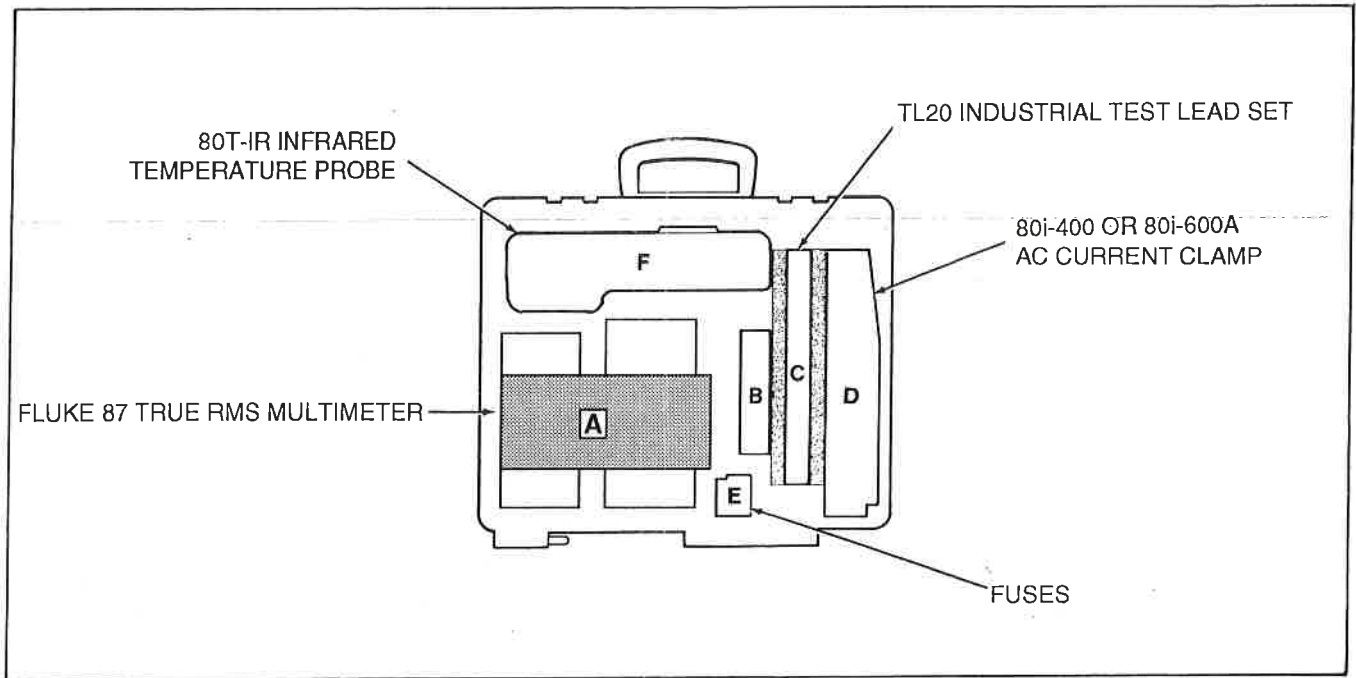
### Electrical and Plant Maintenance Kit



### Automotive Service Kit



**Adjustable Frequency Drive Service Kit**



**HVAC Service Kit**

